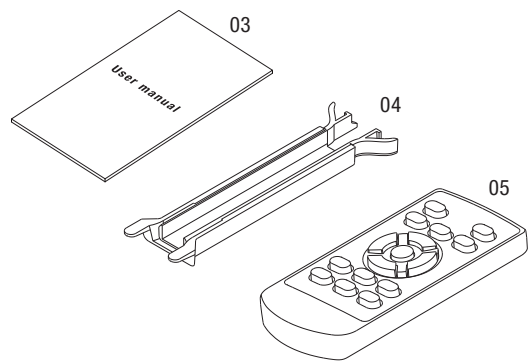
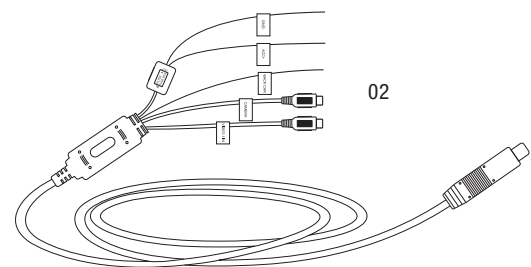
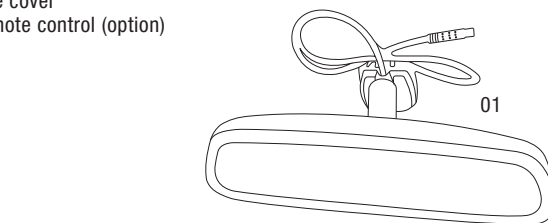


01 PACKAGE

The packing box contains the following accessories, please confirm:

- 01 Rearview mirror monitor
- 02 wire harness
- 03 User manual
- 04 wire cover
- 05 Remote control (option)



For the items listed above, please check with your package box. If any damage, Please contact with the distributor or the agent as soon as possible.

02 FEATURES

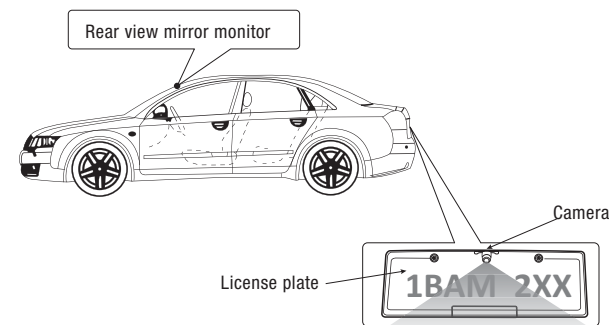
- Back up camera display
- Car dvd GPS or other video signal input
- Automatic brightness adjustment
- 4.0 mm glass and car factory OEM bracket
- Adjustable back up guide line (option)
- Compass and temperature (option)
- Parking sensor (option)
- Manual dimming (option)
- Auto dimming (option)

03 SPECIFICATIONS

- Back up camera display (auto switch)
- Car dvd GPS or other video signal input
- 2ways Video Input
- Signal System: PAL / Auto / NTSC
- Screen Size: 3.5/4.3 inch
- Display Screen: TFT-LCD
- Aspect Resolution
480(H) X 272(V) (4.3inch)
320(H) X 240(V) (3.5 inch)
- Working Voltage: DC 12V

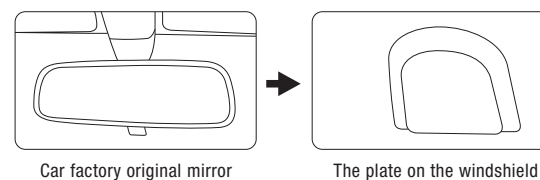
04 HOW TO INSTALL REVERSE CAMERA

When a camera needs to be installed at the rear of vehicle, a good position is usually at the top of the License plate where there is an under ledge.



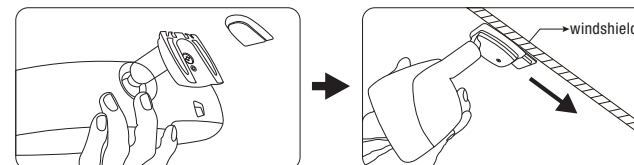
05 HOW TO INSTALL MIRROR MONITOR

Remove the original mirror



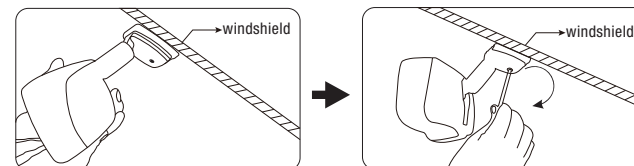
Different cars have different brackets. It depends on your vehicle maker and manufacturer. There are many methods to remove the original rear view mirror, however, please don't force the mirror off the bracket. The manufacturer will not be responsible for damage caused to your car by wrong installation of the mirror.

Install mirror monitor on the plate



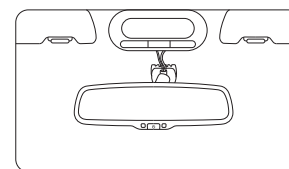
Take down your original mirror, and make the mirror monitor ready

Install rear view mirror along this direction



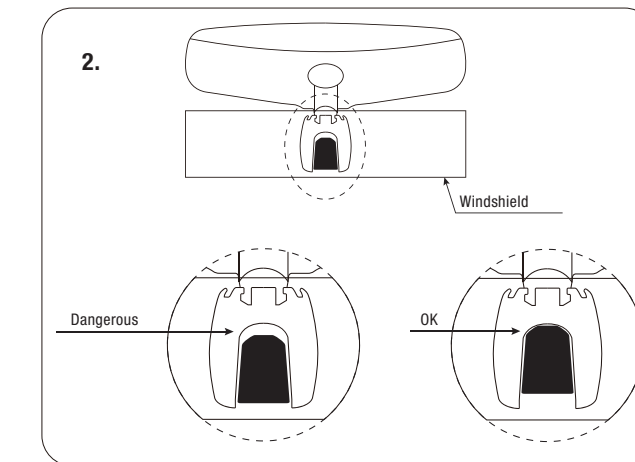
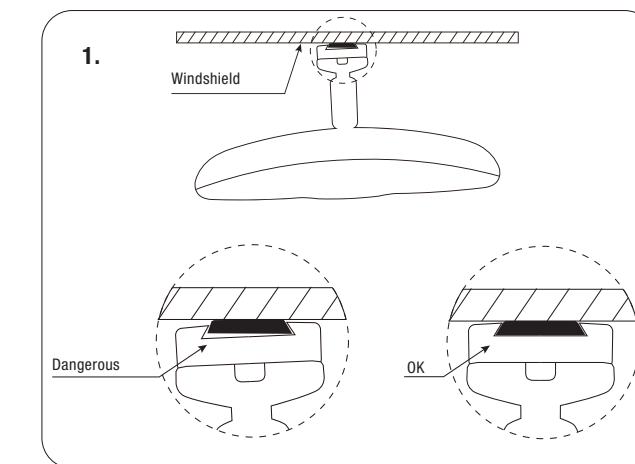
Please make sure to install the mirror to the end of the bottom without any loose

Contrarotate the fixed rear view mirror
Torque is about 0.8-1.3 N.m

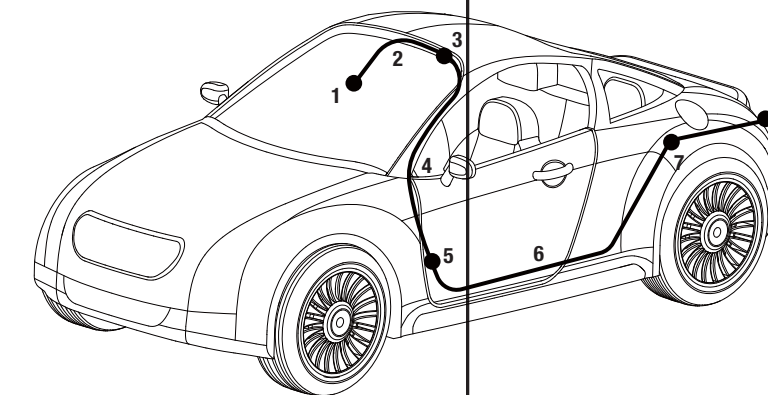
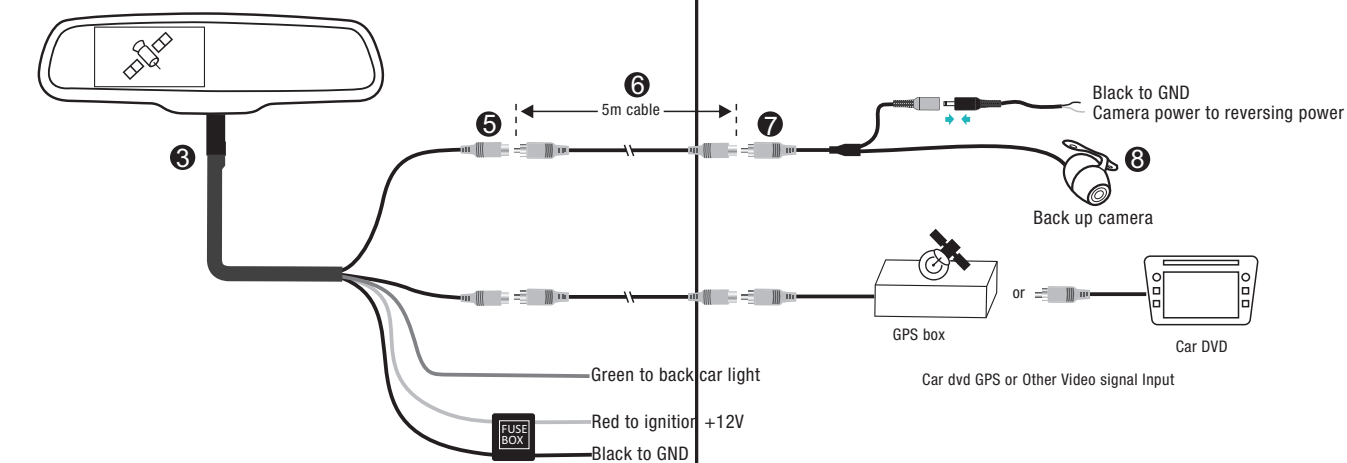


NOTE: Always use caution, DO NOT force the mount. We will not be responsible for broken windshields. If you are not sure how to remove or re-install the mirror seek trained, qualified help.

CAUTION!



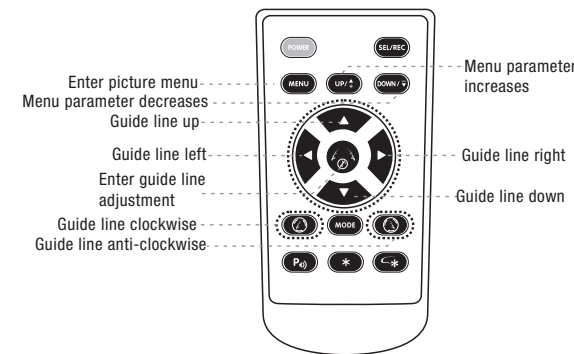
06 HOW TO WIRE



07 MENU SETTING

Remote control

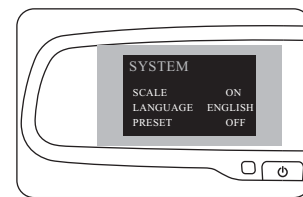
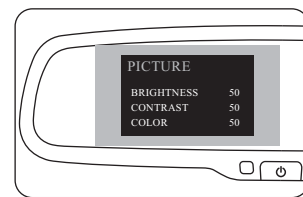
The menu only can be set by remote control, and kindly check its definition as below.



Menu setting guidance

Short press "MENU", you can switch among "PICTURE", "SYSTEM", or enter out. When you enter "PICTURE", press "SEL/REC" to switch among the items.

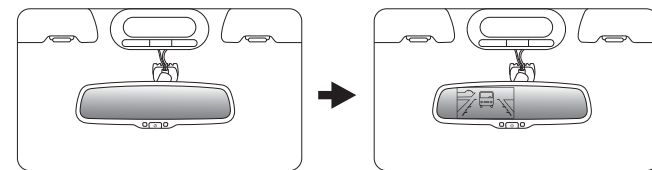
"UP/▲" and "DOWN/▼" are to change the figure of each setting. "SYSTEM" setting is the same as explains above.



Serial No.: 2017AK043LA0412

08 BACK UP CAMERA DISPLAY

When the car is in reverse, the monitor will automatically display back up camera.



09 AUTOMATIC BRIGHTNESS ADJUSTMENT

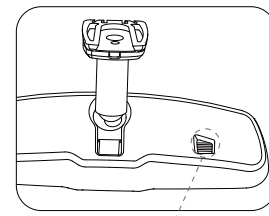
The brightness of screen varies with ambient light, thereby, to make driver get a clear and comfortable image when reversing.

WEAK LIGHT When ambient light is weak, the screen will automatically reduce the brightness and get better vision.

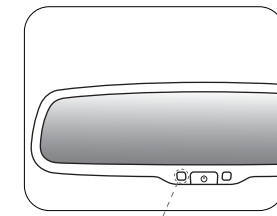
STRONG LIGHT When ambient light is strong, the screen will automatically increase the brightness and get better vision.

10 AUTO-DIMMING (OPTION)

The auto dimming of our mirror works automatically when you start the engine, and the indicator will light up. The light sensor in the back of the rearview mirror will always detect the ambient light. The auto-dimming doesn't work in the broad day for the adequate daylight. However, when night falls and the ambient light is weak, the auto-dimming starts to work and automatically dims to eliminate the glare of rearward-approaching vehicles. Furthermore, the degree of brightness of the auto-dimming glass depends on the level of the light. The stronger the light from the back of the car is, the darker the glass is. Hence it protects drivers from becoming dizzy and avoiding car accident.



the light sensor from the back of mirror detects the ambient light

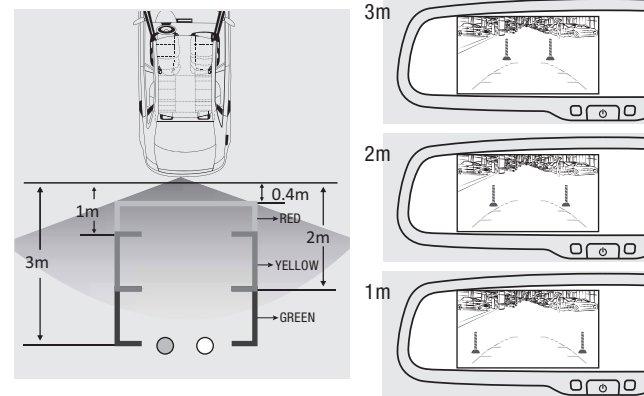


front light sensor detects the light from rearward-approaching vehicles.

11 ADJUSTABLE GUIDE LINE (OPTION)

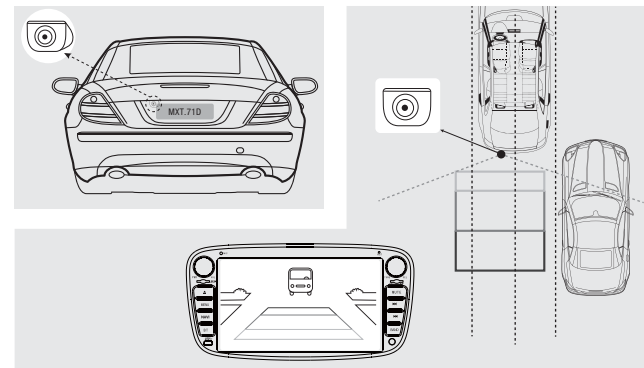
About guide line

Generally, to help drivers estimate the distance from obstacles, there are three lines for reference -red, yellow and green. Those lines are displayed on the monitor when reversing. The green line is 3m away from the back of car and the yellow line is 2m. The distant red line is 1m away from the backside of car while the closed red line is 0.4m. Both reference lines on the left and right should leave 0.2m from the car.



What the regular guide line is

Regular guide line is fixed. But installation sites of cameras are different as well as car size. The fixed guide line is not accurate enough for drivers. There is a great difference among regular and fixed guide lines and car's real guide lines, especially when camera is mounted on the left or right side of car backside.



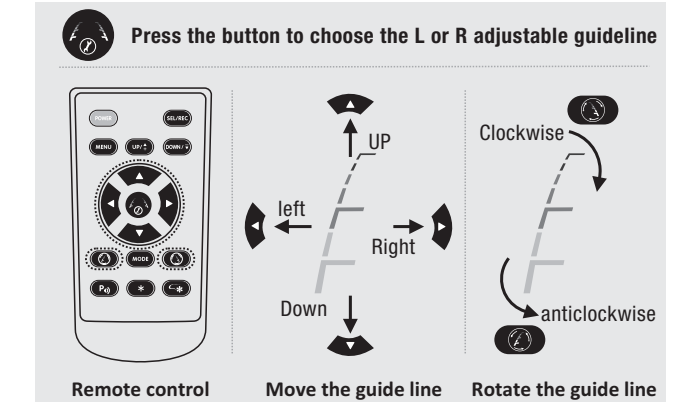
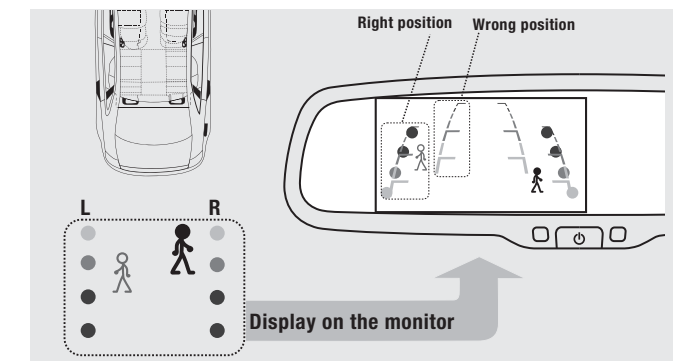
How to adjust the guide line

According to the site of standard reference line, we can put references such as desks in the back side of the car. Compared with the marked references, we can adjust the sites and angles of two guide lines displayed on the monitor. You will get the accurate and safety guide lines once it coincides with the references.

Press setting button to enter "guide line adjustment" mode. The system is defaulted to adjust left guide line first. Press the button again to switch to adjust the right guide line.

The up , down , left and right buttons are to adjust the corresponding location of guide lines. The clockwise rotation and contra rotating buttons are to adjust the angles of guide lines. It is easy to operate and calibrate. calibration finished, switch the reverse gear to save the information.

Caution: keep the remote control 0.5m-1.0m from rearview mirror when you use the remote to adjust the parking lines.



This device complies with Part 15 of the FCC Rules. Operation is subject to the following two conditions:

- (1) this device may not cause harmful interference,
- (2) this device must accept any interference received, including interference that may cause undesired operation. changes or modifications not expressly approved by the party responsible for compliance could avoid the user's authority to operate the equipment.

NOTE: This equipment has been tested and found to comply with the limits for a Class B digital device, pursuant to Part 15 of the FCC Rules. These limits are designed to provide reasonable protection against harmful interference in a residential installation. This equipment generates, uses and can radiate radio frequency energy and, if not installed and used in accordance with the instructions, may cause harmful interference to radio communications. However, there is no guarantee that interference will not occur in a particular installation.

If this equipment does cause harmful interference to radio or television reception, which can be determined by turning the equipment off and on, the user is encouraged to try to correct the interference by one or more of the following measures:

- Reorient or relocate the receiving antenna.
- Increase the separation between the equipment and receiver.
- Connect the equipment into an outlet on a circuit different from that to which the receiver is connected.
- Consult the dealer or an experienced radio/TV technician for help.

To maintain compliance with FCC's RF Exposure guidelines, This equipment should be installed and operated with minimum distance between 20cm the radiator your body: Use only the supplied antenna.

Caution No entertainment video is permit when driving except the demo for navigation and backup camera display!

*This manual is only for your reference, please check the actual product as the standard!

Ultra High Brightness Mirror Style Monitor

USER MANUAL